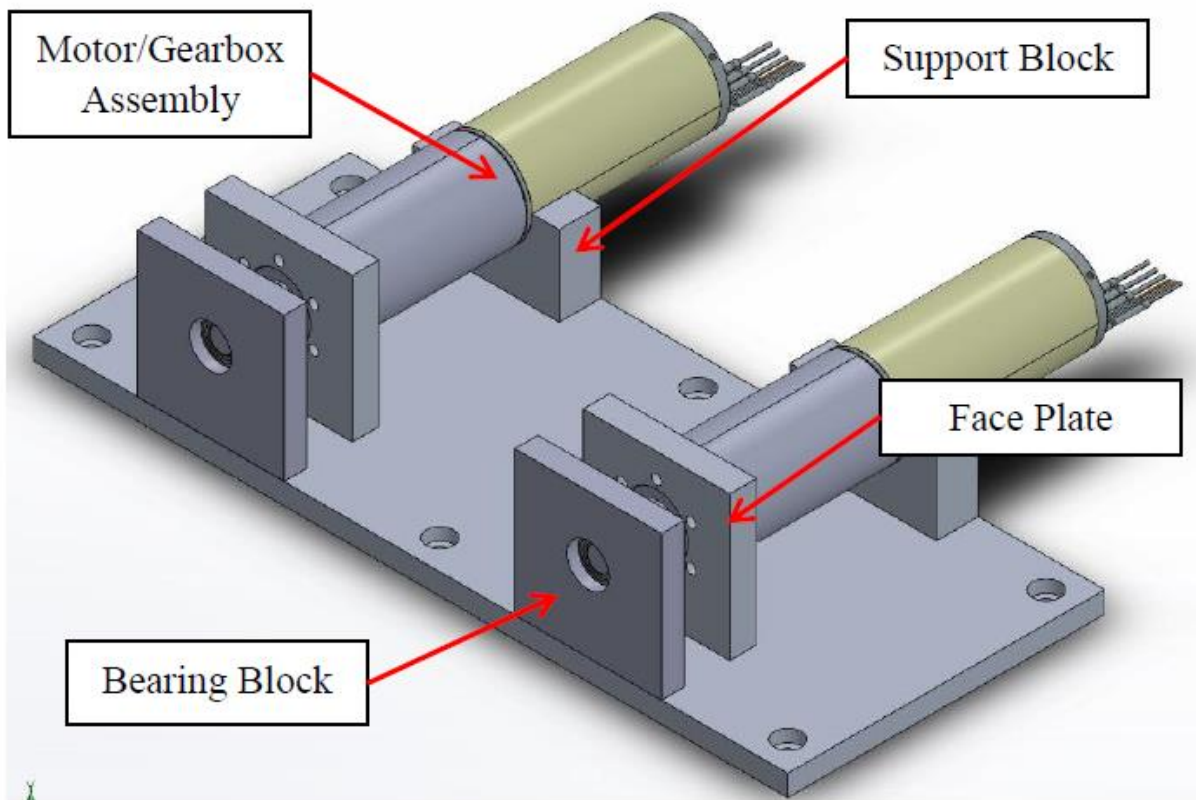


*Figure 1: Hip Belt Design from SolidWorks*



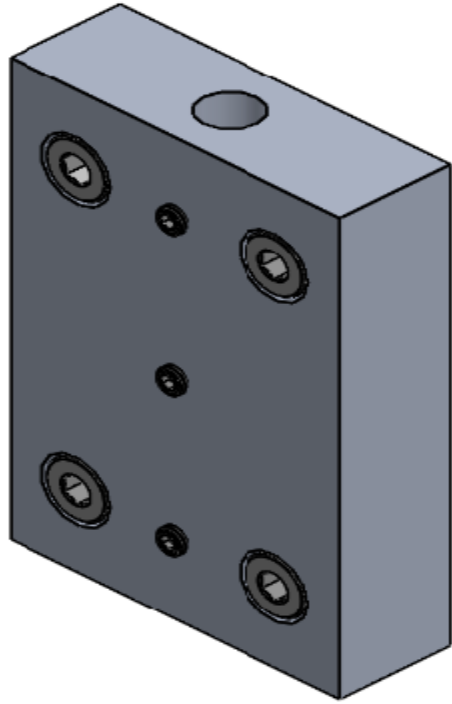
*Figure 3 Redesigned Motor Mount*



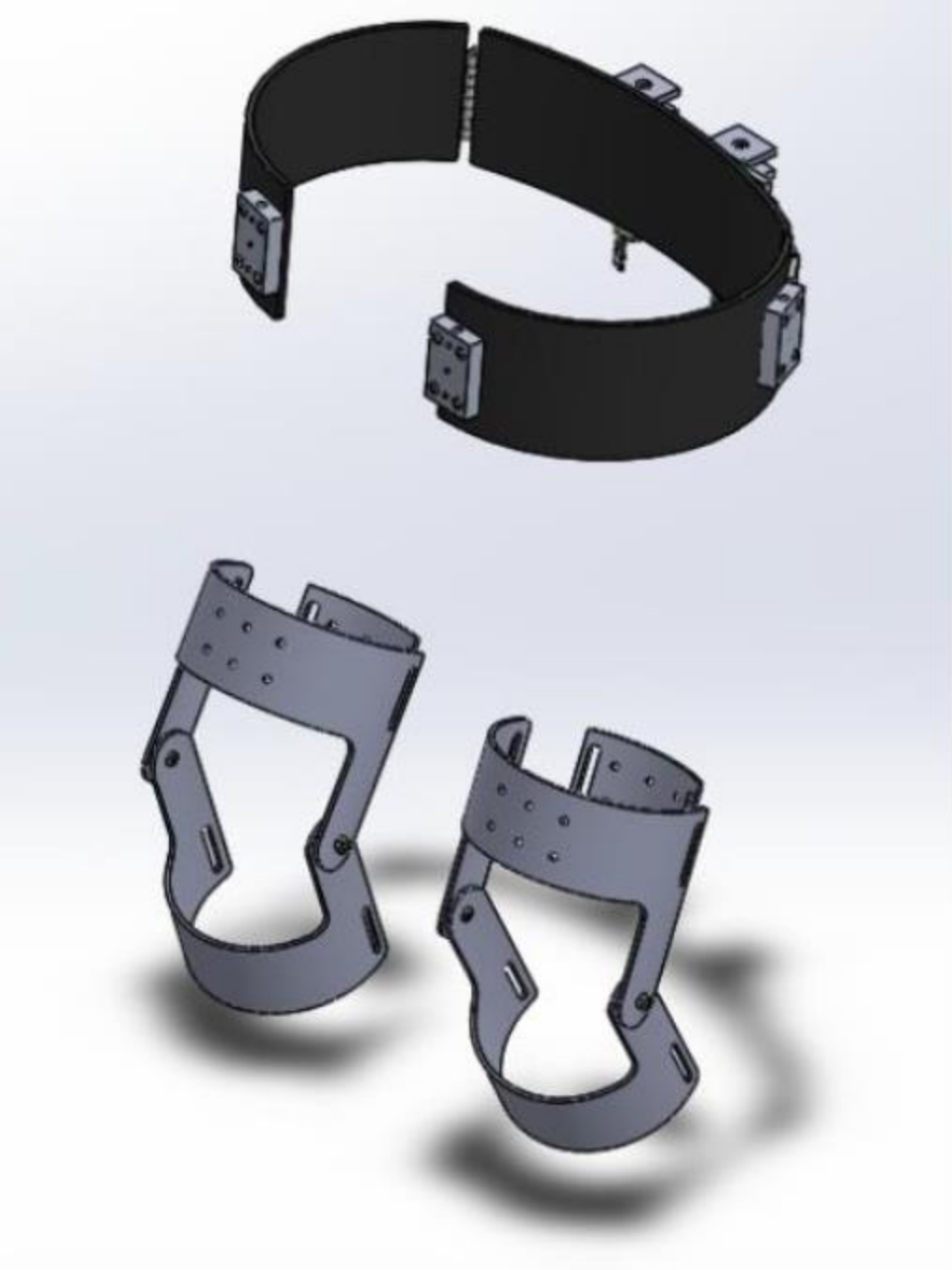
*Figure 4 Knee Brace*



*Figure 5 Bowden Sheath Design*



*Figure 6 Old Cable Clamp Design*



*Figure 7: Full Assembly of Exoskeleton in SolidWorks*